

Features

- 1-channel isolated barrier
- 24 V DC supply (Power Rail)
- Input 2-wire and 3-wire SMART transmitters and 2-wire SMART current sources
- Signal splitter (1 input and 2 outputs)
- Dual output 0/4 mA ... 20 mA
- Terminal blocks with test sockets
- Up to SIL 3 acc. to IEC 61508

Function

This isolated barrier is used for intrinsic safety applications. The device supplies 2-wire and 3-wire SMART transmitters in a hazardous area, and can also be used with 2-wire SMART current sources.

It transfers the analog input signal to the safe area as two isolated current values.

Digital signals may be superimposed on the input signal in the hazardous or safe area and are transferred bi-directionally.

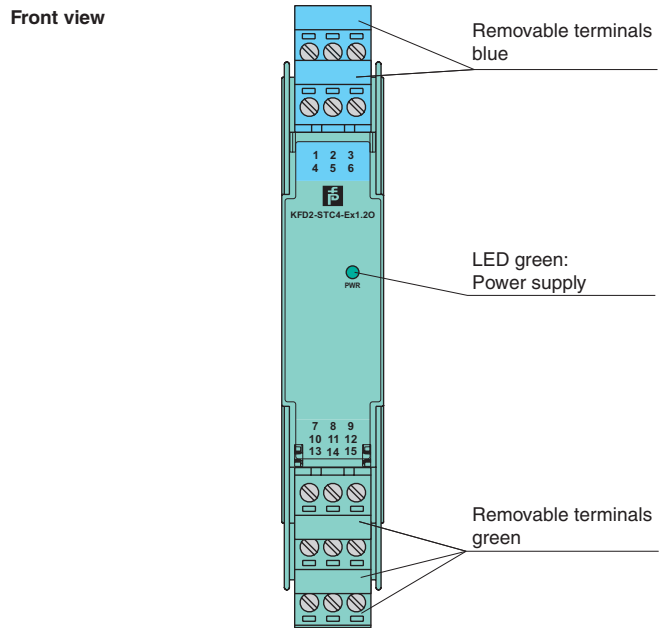
If the HART communication resistance in the loop is too low, the internal resistance of 250 Ω between terminals 8, 9 and 11, 12 can be used.

Test sockets for the connection of HART communicators are integrated into the terminals of the device.

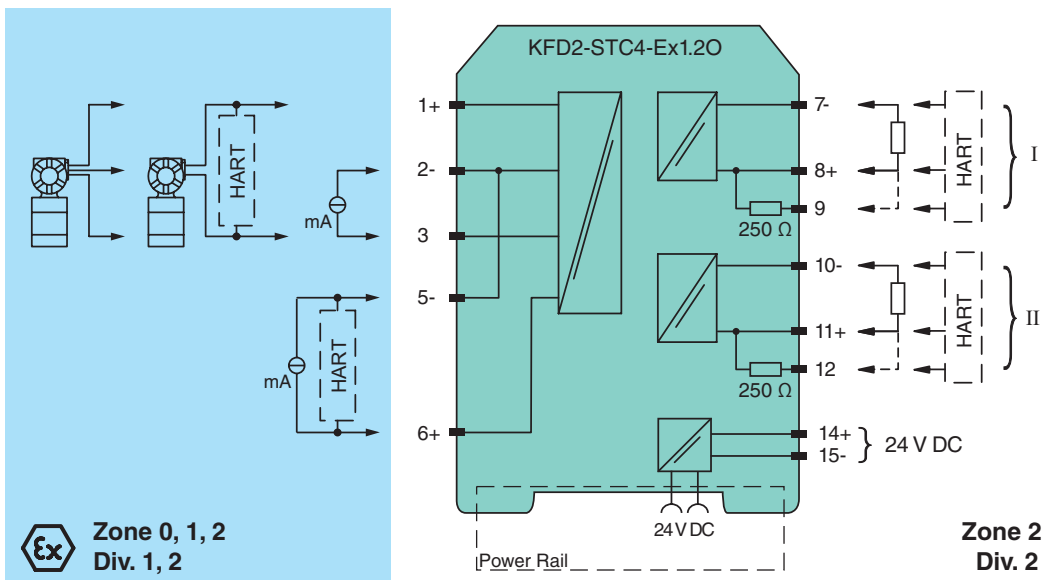
Application

- The device supports the following SMART protocols:
- HART
 - BRAIN
 - Foxboro

Assembly



Connection



Release date 2017-12-05 16:43 Date of issue 2017-12-05 283674_eng.xml

General specifications		
Signal type		Analog input
Functional safety related parameters		
Safety Integrity Level (SIL)		SIL 3
Supply		
Connection		Power Rail or terminals 14+, 15-
Rated voltage	U_r	20 ... 35 V DC
Ripple		within the supply tolerance
Power dissipation		1.8 W
Power consumption		2.4 W
Input		
Connection side		field side
Connection		terminals 1+, 2-, 3 or 5-, 6+
Input signal		0/4 ... 20 mA
Open circuit voltage/short-circuit current		terminals 1+, 3-: 22.7 V / 38 mA
Voltage drop		terminals 5, 6 : ≤ 2.4 V at 20 mA
Input resistance		terminals 2-, 3: $\leq 76 \Omega$ terminals 1+, 3: $\leq 500 \Omega$ (250 Ω load)
Available voltage		terminals 1+, 3: ≥ 16 V at 20 mA
Output		
Connection side		control side
Connection		terminals 7-, 8+,9; 10-, 11+,12
Load		0 ... 550 Ω at 20 mA
Output signal		0/4 ... 20 mA (overload > 25 mA)
Ripple		$\leq 50 \mu A_{rms}$
Transfer characteristics		
Deviation		at 20 °C (68 °F), 0/4 ... 20 mA $\leq 10 \mu A$ incl. calibration, linearity, hysteresis, loads and fluctuations of supply voltage
Influence of ambient temperature		0.25 $\mu A/K$
Frequency range		field side into the control side: bandwidth with 0.5 V_{pp} signal 0 ... 7.5 kHz (-3 dB) control side into the field side: bandwidth with 0.5 V_{pp} signal 0.3 ... 7.5 kHz (-3 dB)
Settling time		200 μs
Rise time/fall time		20 μs
Galvanic isolation		
Output/power supply		functional insulation, rated insulation voltage 50 V AC
Output/Output		functional insulation, rated insulation voltage 50 V AC
Indicators/settings		
Display elements		LED
Labeling		space for labeling at the front
Directive conformity		
Electromagnetic compatibility		
Directive 2014/30/EU		EN 61326-1:2013 (industrial locations)
Conformity		
Electromagnetic compatibility		NE 21:2011
Degree of protection		IEC 60529:2001
Protection against electrical shock		UL 61010-1:2012
Ambient conditions		
Ambient temperature		-20 ... 60 °C (-4 ... 140 °F)
Mechanical specifications		
Degree of protection		IP20
Connection		screw terminals
Mass		approx. 200 g
Dimensions		20 x 124 x 115 mm (0.8 x 4.9 x 4.5 inch) , housing type B2
Mounting		on 35 mm DIN mounting rail acc. to EN 60715:2001
Data for application in connection with hazardous areas		
EU-Type Examination Certificate		BAS 99 ATEX 7060 X
Marking		Ex II (1)G [Ex ia Ga] IIC , Ex II (1)D [Ex ia Da] IIIC , Ex I (M1) [Ex ia Ma] I
Input		[Ex ia Ga] IIC, [Ex ia Da] IIIC, [Ex ia Ma] I
Supply		
Maximum safe voltage	U_m	250 V (Attention! The rated voltage can be lower.)
Equipment		terminals 1+, 3-
Voltage	U_o	25.4 V
Current	I_o	86.8 mA
Power	P_o	551 mW

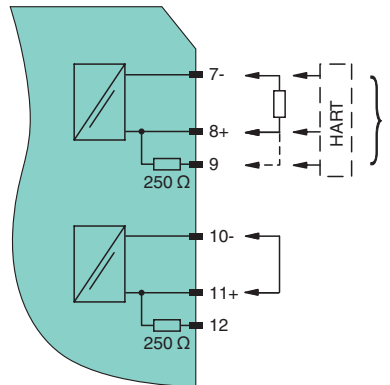
Release date 2017-12-05 16:43 Date of issue 2017-12-05 283674_eng.xml

Refer to "General Notes Relating to Pepperl+Fuchs Product Information".

Permissible connection values [EEx ia]		
Equipment		terminals 2-, 3
Current I _o /Current I _i		74 mA / 115 mA
Current	I _i	115 mA
Voltage	U _o	3.5 V
Current	I _o	74 mA
Power	P _o	64 mW
Permissible connection values [EEx ia]		
Equipment		terminals 1+, 2 / 3-
Voltage	U _i	30 V
Current	I _i	115 mA
Voltage	U _o	25.4 V
Current	I _o	115 mA
Power	P _o	584 mW
Permissible connection values [EEx ia]		
Equipment		terminals 5-, 6+
Voltage	U _i	30 V
Current	I _i	115 mA
Voltage	U _o	8.7 V
Current	I _o	0 mA
Output		
Maximum safe voltage	U _m	250 V (Attention! The rated voltage can be lower.)
Certificate		
Marking		⊕ II 3G Ex nA II T4 [device in zone 2]
Galvanic isolation		
Input/Output		safe electrical isolation acc. to IEC/EN 60079-11, voltage peak value 375 V
Input/power supply		safe electrical isolation acc. to IEC/EN 60079-11, voltage peak value 375 V
Directive conformity		
Directive 2014/34/EU		EN 60079-0:2012+A11:2013 , EN 60079-11:2012 , EN 60079-15:2010
International approvals		
UL approval		
Control drawing		116-0428 (cULus)
IECEX approval		
		IECEX BAS 04.0016X IECEX CML 15.0055X
Approved for		[Ex ia Ga] IIC, [Ex ia Da] IIIC, [Ex ia Ma] I Ex nA IIC T4 Gc
General information		
Note		
		Both output loads must be connected to ensure complete and correct operation within the technical specification. Open circuit of one of the two outputs will not affect the connected output, but would result in a loss of transmitter supply voltage of up to 0.7 Volt.
Supplementary information		
		Observe the certificates, declarations of conformity, instruction manuals, and manuals where applicable. For information see www.pepperl-fuchs.com .

Configuration active output (source)

If only one output of the two outputs is used, a plug-in jumper have to be set as follows.



Accessories

Power feed module KFD2-EB2

The power feed module is used to supply the devices with 24 V DC via the Power Rail. The fuse-protected power feed module can supply up to 150 individual devices depending on the power consumption of the devices. Collective error messages received from the Power Rail activate a galvanically-isolated mechanical contact.

Power Rail UPR-03

The Power Rail UPR-03 is a complete unit consisting of the electrical insert and an aluminium profile rail 35 mm x 15 mm. To make electrical contact, the devices are simply engaged.

Profile Rail K-DUCT with Power Rail

The profile rail K-DUCT is an aluminum profile rail with Power Rail insert and two integral cable ducts for system and field cables. Due to this assembly no additional cable guides are necessary.



Power Rail and Profile Rail must not be fed via the device terminals of the individual devices!